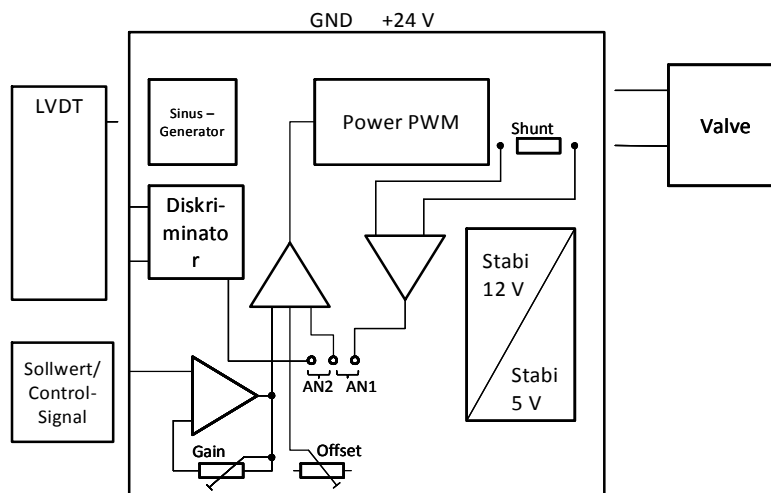


## Amplifier Electronic AE-2



### Technical data AE-2

Application	Control of Servovalves with the control current from 0mA until +/- 400mA with LVDT or external feedback (see Closed loop control "Option")
Signal and LVDT / Driver	Analog / Digital
Power supply	24 VDC
Control signal / Customer signal	+/- 10VDC, 0....10VDC, 4....20mA, +/-10mA, +/-50mA (desired control signal to be advised when ordered)
Closed loop control	Piston position control with LVDT Option : External feedback of pistonposition from customer-cylinder



## Wiring-plan AE-2

Pin	Electronic AE-2	Function	Color of cable		
			Selec S120	Selec S300	Other manufacturer
1	Control input	Ground	customer		
2	Control input	Customer signal	customer		
3	NC (not connected)				
4	NC (not connected)				
5	Power supply	+24 VDC	customer		
6	Power supply	Ground	customer		
7	Mag. Servo Valve		brown	blue	Spec. Manufacturer
8	Mag. Servo Valve		blue	brown	Spec. Manufacturer
9	Out	LVDT: Pin 1	grey		Spec. Manufacturer
10	In 1	LVDT: Pin 3	green		Spec. Manufacturer
11	Ground	LVDT: Pin Ground	yellow		Spec. Manufacturer
12	In 2	LVDT: Pin 2	brown		Spec. Manufacturer

### For the installation

The customer is attaching the pin Nr. 1,2,5 and 6 only.  
All other cables are attached by Selec already.

Please compare the serial Nr. of the electronic AE-2  
with the Serial Nr. of the Servo Valve and pair it.

The electronic with the Servo Valve makes one unit that must not be devided.  
It must not be swapped with another Servo Valve.

If the LED "Power" is not illuminating, the Power supply is below 20Volt or inexistent.