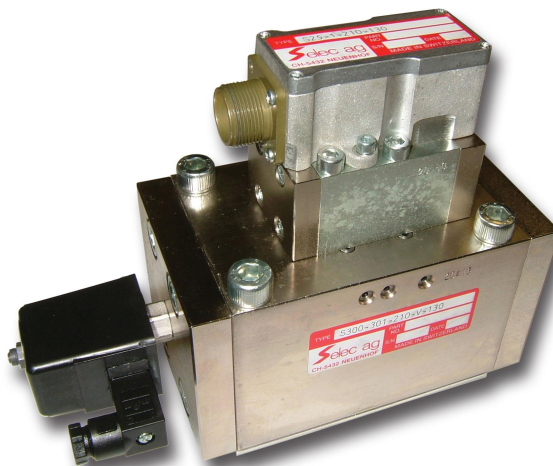
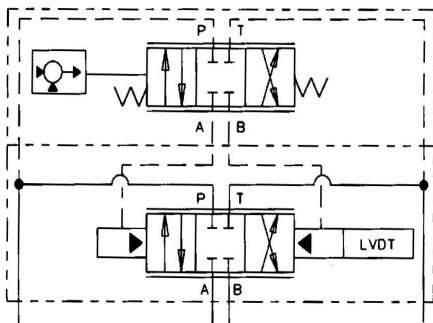


**Valve features**

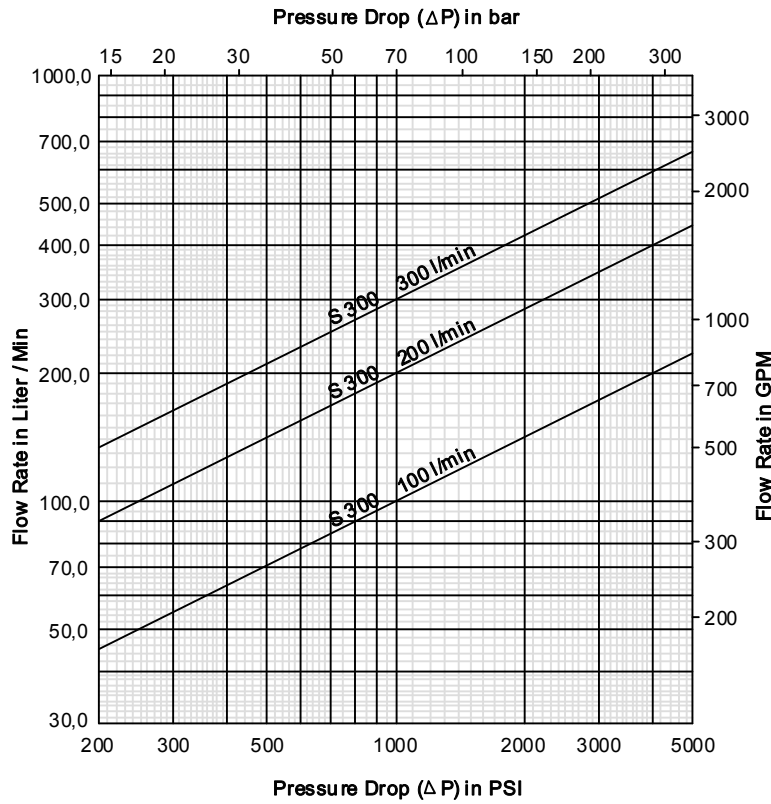
- Servovalve for position-, force-, pressure- or speed regulation
- Three stage servovalve with electrical feedback LVDT
- First stage nozzle / flapper
- Dry isolated torque motor
- Fully iron
- Rugged, long-life design
- Port pattern NG16 / Cetop 07 for 4-ports
- High resolution
- High pressure application
- Easy field maintenance



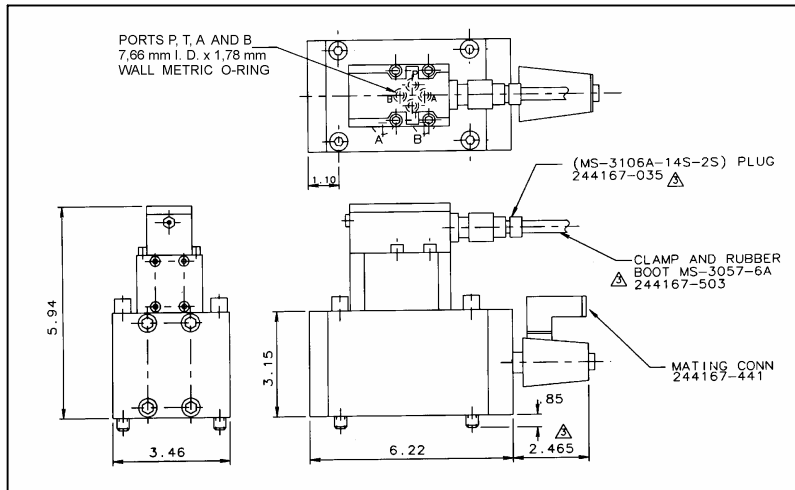
**Technical data S300**

Nominal size	100	200	300
Port pattern	Cetop 07 NG16	Cetop 07 NG16	Cetop 07 / NG16
Rated Flow $\pm 10\%$ at 1000 psi $\Delta P$ Drop – gpm at 70 bar $\Delta P$ drop – L/min	26.5 100	52.9 200	79.4 300
Frequency response at 90° Phase Shift , 210bar, at 40% amplitude – Hz	50	40	30
Step response in milli seconds	9	10	12
Leakage at 1000 psi, 50 cSt, gpm 70 bar, 50 cSt, L/min	0.53 2	0.53 2	0.53 2
<b>All Flow Rates</b>			
Flow rate	100 - 300 Liter		
Maximum pressure, port P, A, B psi / bar	4500 / 315 (5000 psi / 350 bar on request)		
Maximum pressure, port T psi / bar	290 / 20		
Temperature range F° / C°	4 to 194 / -20 to +90		
Fluid viscosity	20 to 380 cSt		
Resolution	0,2%		
Hysteresis	<0.3%		
Null point shift for pressure change of 20%	1%		
Null point shift for viscosity change of 30 cSt	1.5%		
Electrical feedback	Lisk or customized / amplifier electronics available		
Electrical Connector	4 pin / MS3106R14S-2S		
Amplifier electronics	External amplifier electronics available (AE-2)		
Weight	9.2 kg		

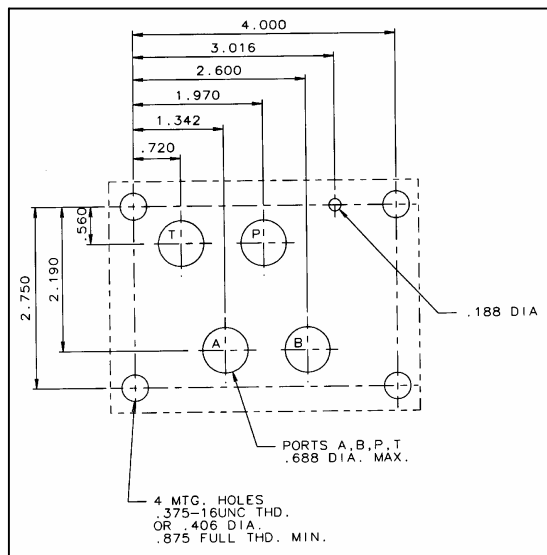
Valve Flow Diagram



### Dimensions



### Connection



### Electrical Data

Coil	Typ	40	80	100	130	200
Parallel connection	max. J [mA]	52	104	130	170	350
	max. U [V]	32	16	10	8	5
Serial connection	max. J [mA]	27	53	66	86	175
	max. U [V]	63	31	21	15	9
Resistance per coil at	70° [Ω]	1200	300	160	90	24

Coil 130mA standard. Coil 40 mA, 80 mA, 100 mA, 200 mA on request.

### Application examples

Pump & kompressor control, heavy press, wood industry, road work, mobile crane, packaging system, machine automation, agriculture machinery, industrial automation, m.m.

## Ordering information

Model Number	1...	2...	3...	4...	5...	6...	7...	8...	9...	10...	
<b>1 Size/Type Mountin</b> S 1-4 S 25 S 100 S 120 S 300 DS 6 DS 11										<b>10 Splash water</b> S Splash water resistant N Not splash water res. (Standard)	
<b>2 Nominal Size</b> available on request Cetop 03 size nominal flow 001 0.26 G/Min (1,0 L/Min) S1-4 / S25 002 0.66 G/Min (2,5 L/Min) S25 005 1.3 G/Min (5 L/Min) S25 010 2.6 G/Min (10 L/Min) S25 025 6.6 G/Min (25 L/Min) S25 Cetop 05 size nominal flow 005 1.32 G/Min (5 L/Min) S100 010 2.62 G/Min (10 L/Min) S100 020 5.24 G/Min (20 L/Min) S100 040 10.5 G/Min (40 L/Min) S100 /S120 050 13.2 G/Min (50 L/Min) S100 /S120 060 15.7 G/Min (60 L/Min) S100 /S120 080 20.9 G/Min (80 L/Min) S120 100 26.2 G/Min (100 L/Min) S120 120 31.7 G/Min (120 L/Min) S120 Cetop 07 size nominal flow 100 26.5 G/Min (100 L/Min) 200 52.9 G/Min (200 L/Min) 300 79.4 G/Min (300 L/Min)										<b>9 Customer made</b> C Customer made modif. edition N Normal edition	
										<b>8 Amplifier</b> S Selec amplifier N None	
										<b>7 LVDT Feedback</b> S LVDT Selec L LVDT Lisk ( S120 / S300)	
										<b>6 Torque Motor Coil</b> 040 40 ma 080 80 ma 100 100 ma 130 130 ma (Standard) 200 200 ma	
										<b>5 Seal Material</b> V Viton (Standard) fluorocarbon E EDPM	
										<b>4 Operating Pressure</b> 040 580 PSI (40 Bar) 070 1000 PSI (70 Bar) 140 2000 PSI (140 Bar) 210 3000 PSI (210 Bar) 315 5000 PSI (315 Bar)	
<b>3 Pilot Drain Arrangement</b> N Internal drain/internal pilot (Standard) (for Size 03, 05 & 07) Y Internal pilot/external drain (Size 07 only) X External pilot/external drain (Size 07 only)											