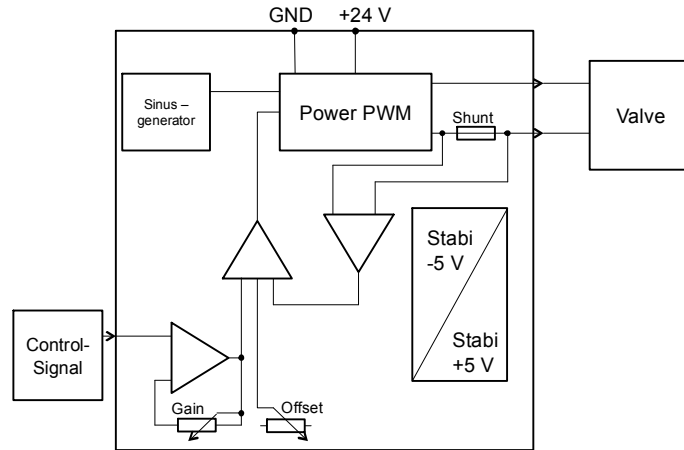
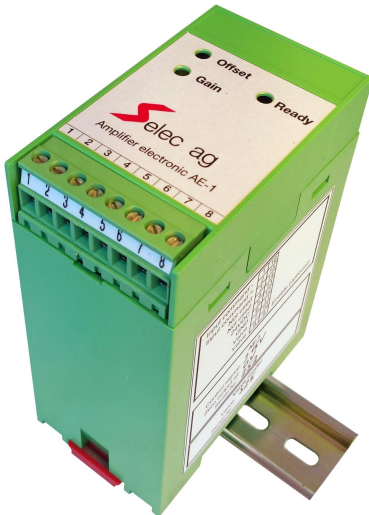


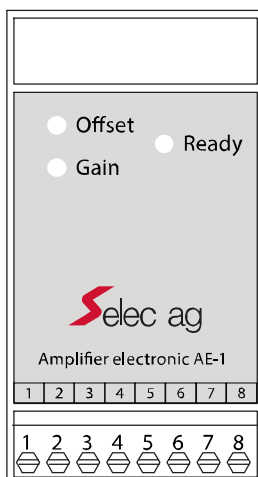
### Characteristics of AE-1



### Technical data AE-1

Application	Control of bipolare coil magnets
Signal and LVDT / Driver	Analog / Digital
Power supply	24 VDC, min. 22 VDC, max. 27 VDC
Control signal / Customer signal	+/- 10VDC, 0....10VDC, 4....20mA, +/-10mA
Control Loop	Current comparison
PWM-Frequency	6 kHz
Temperature protection	If > 90°C = no function
Short-circuit protection	Only coil short-circuit protection, no coil to GND protection
Enable signal	Optional

### Wiring-plan AE-1



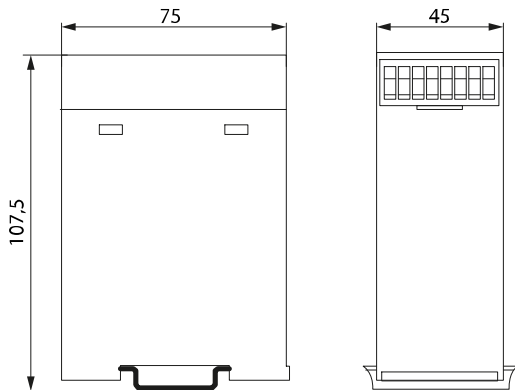
Pin	Function
1	Input command -
2	Input command +
3	Not used
4	Not used
5	24VDC
6	GND
7	Valve
8	Valve

#### Installation

If the LED "Power" is not illuminating, the Power supply is too low or not existing.

With enable signal, connect pin 9 with pin 5

### Dimension



### Orderinformation

