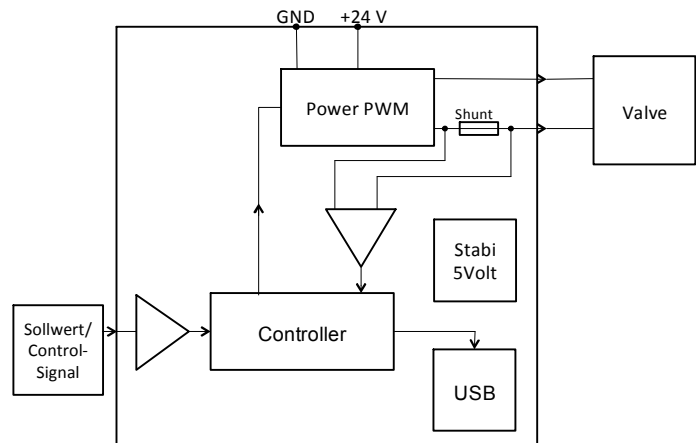


Characteristics of AE-1D



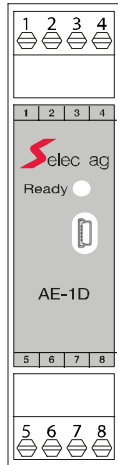
Technical Data AE-1D

Application	Control of bipolar coil magnets
Signal / Driver	Digital
Power supply	24 VDC, min. 22 VDC, max. 27 VDC
Current limitation	Adjustable
Control signal	+/-10VDC, 4....20mA, +/-10mA
Control loop	Current comparison
PWM - Frequency	6 kHz
Temperature protection	If > 90°C = no function
Parameter setting	USB-interface (Mini-B)
Parameter software	Free download from Selec website "Downloads"
Operating system	Windows 98, 2000, XP, Vista, 7, 8
Short-circuit protection	Only coil short-circuit protection, no coil to GND protection
Enable signal	Optional

Software-Settings

- Choice of valves model (automatic load of default values)
- Current limitation
- Customer-Signal
- Zeropoint adjustment
- Gain adjustment
- Dither signal (amplitude and frequency)
- P and D values

Wiring plan AE-1D

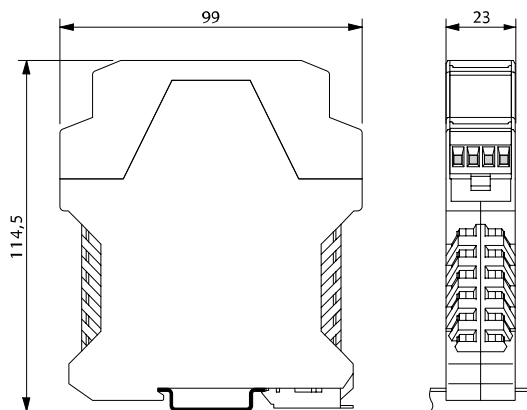


Pin	Funktion	Pin	Funktion
1	GND (0V)	5	Input command -
2	24VDC	6	Input command +
3	Valve	7	Current signal ^{*1}
4	Valve	8	Enable signal ^{*2}

*1 If current signal, connect pin 7 with pin 5

*2 If enable signal, connect pin 8 with pin 2

Dimensions



Orderinformation

AE-1D

Code	Enable
A	No enable signal (standard)
B	With enable Signal

Code	Valve model	max. Current
A	S25, S100, DS6, DS11	± 250mA
B	S120, S300	± 250mA
C	D40V	± 1A
D	D40T	± 2A
E	D100T	± 2.5A
F	Non Selec valves	X