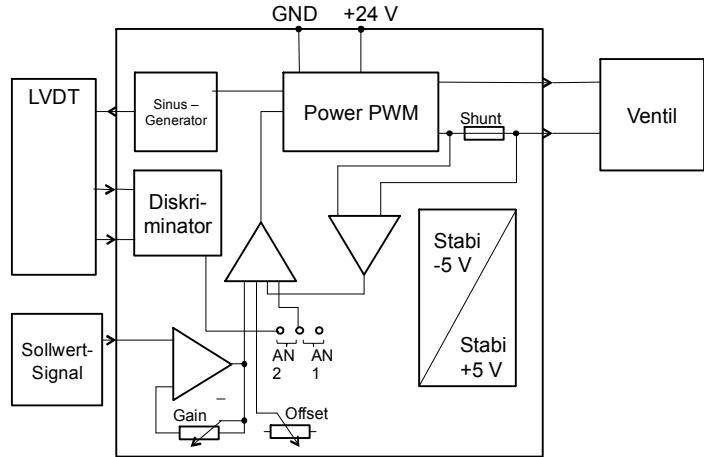


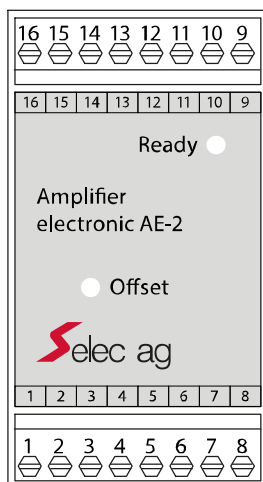
Characteristics of AE-2



Technical data AE-2

Application	Control of servovalves with the control current from 0mA to +/- 400mA or direct driven servovalves from 0mA to +/- 2.5A with LVDT
Signal and LVDT / Driver	Analog / Digital
Power supply	24 VDC, min. 22 VDC, max. 27 VDC
Customer signal	+/- 10VDC, 0....10VDC, 4....20mA, +/-10mA
Closed loop control	Piston position control with LVDT
PWM-Frequency	6 kHz
Temperature protection	If > 90°C = no function
Short-circuit protection	Only coil short-circuit protection, no coil to GND
Enable signal	optional

Wiring-plan AE-2



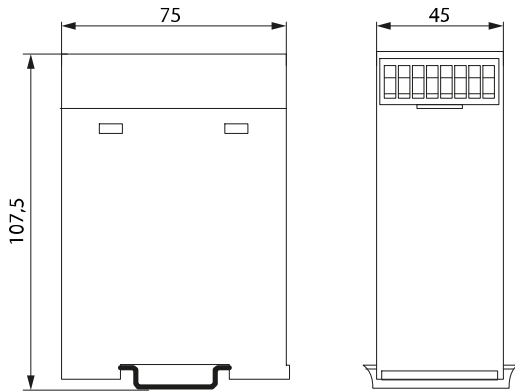
Pin	Funktion	Pin	Funktion
1	Input command -	9	Enable (optional)
2	Input command +	10	GND
3	Not used	11	Not used
4	Not used	12	In 1 LVDT
5	24VDC	13	+9V
6	GND	14	In 2 LVDT
7	Valve	15	Out 1 LVDT
8	Valve	16	Out 2 LVDT

Installation

If the LED "Power" is not illuminating, the Power supply is below 20Volt or inexistent. The electronic with the Servo Valve makes one unit that must not be devided. It must not be swapped with another Servo Valve.

*1) With enable signal, connect pin 9 with pin 5

Dimension



Orderinformation

